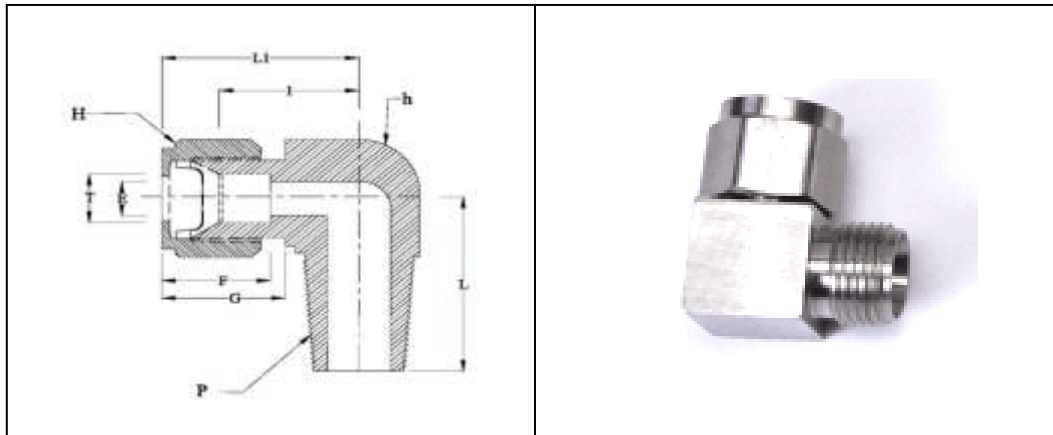




MALE ELBOW



Tube O.D. T in	P (NPT)	E Min	h in	H in	F	G	I	L	L ₁
1/8	1/8	2.28	1/2	7/16	12.70	15.24	18.30	24.91	18.90
1/8	1/4	2.28	1/2	7/16	12.70	15.24	18.30	24.91	23.36
3/16	1/8	3.04	1/2	1/2	13.71	16.00	18.79	25.40	18.79
3/16	1/4	3.04	1/2	1/2	13.71	16.00	18.79	25.40	23.36
1/4	1/8	4.82	1/2	9/16	15.24	17.78	19.10	26.47	19.10
1/4	1/4	4.82	1/2	9/16	15.24	17.78	19.81	27.18	23.87
1/4	3/8	4.82	11/16	9/16	15.24	17.78	22.35	29.71	28.40
1/4	1/2	4.82	13/16	9/16	15.24	17.78	24.60	31.97	35.10
5/16	1/8	4.82	9/16	5/8	16.25	18.54	21.33	28.70	19.81
5/16	1/4	6.35	9/16	5/8	16.25	18.54	22.40	29.77	24.50
5/16	3/8	6.35	11/16	5/8	16.25	18.54	23.11	30.48	28.40
3/8	1/8	4.82	5/8	11/16	16.76	19.30	23.11	30.48	20.60
3/8	1/4	7.11	5/8	11/16	16.76	19.30	23.11	30.48	25.40
3/8	3/8	7.11	11/16	11/16	16.76	19.30	23.87	31.24	28.44
3/8	1/2	7.11	13/16	11/16	16.76	19.30	23.80	31.42	33.02
3/8	3/4	7.11	1-1/16	11/16	16.76	19.30	29.71	37.08	36.83
1/2	1/4	7.11	13/16	7/8	22.86	21.84	25.90	36.06	28.30
1/2	3/8	9.65	13/16	7/8	22.86	21.84	25.90	36.06	28.30



1/2	1/2	10.41	13/16	7/8	22.86	21.84	25.90	36.06	33.02
1/2	3/4	10.41	1-1/16	7/8	22.86	21.84	29.71	39.87	36.83
5/8	3/8	9.65	15/16	1	24.38	21.84	26.90	37.06	29.40
5/8	1/2	11.93	15/16	1	24.38	21.84	26.90	37.06	34.00
5/8	3/4	12.70	1-1/16	1	24.38	21.84	29.71	39.87	36.83
3/4	1/2	11.93	1-1/16	1-1/8	24.38	21.84	29.71	39.87	37.00
3/4	3/4	15.74	1-1/16	1-1/8	24.38	21.84	29.71	39.87	36.83
7/8	3/4	15.74	1-1/4	1-1/4	25.90	21.84	34.54	44.70	41.65
1	3/4	15.74	1-27/64	1-1/2	31.24	26.41	36.83	49.02	42.20
1	1	22.35	1-27/64	1-1/2	31.24	26.41	36.83	49.02	46.70