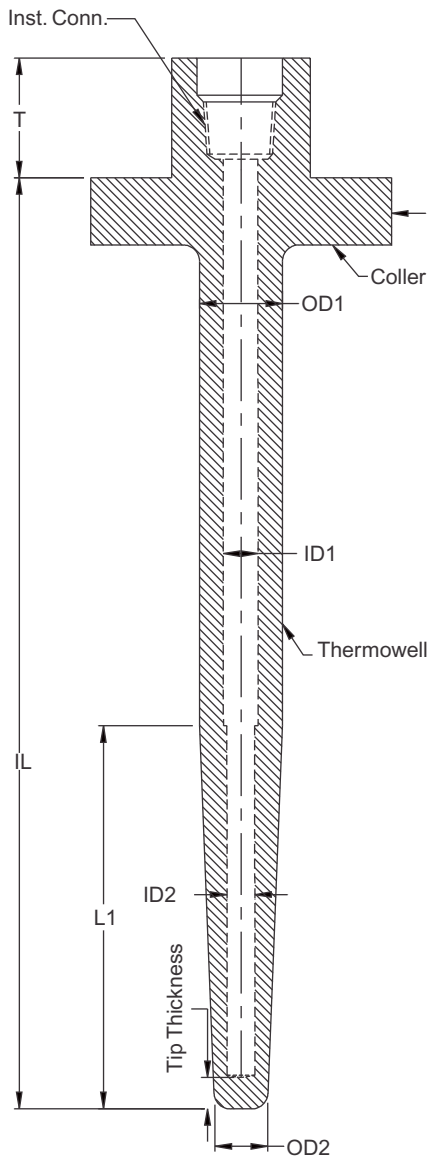




VANSTONE THERMOWELL

TEC-116



Thermowell Material

Thermowell OD1 (mm)

Coller OD

Thermowell OD2 (mm)

Thermowell ID1 (mm)

Thermowell ID2 (mm)

Instruments Conn.

Taper Length (L1) (mm)

Length of "T" (mm)

Insertion Length "I.L." (mm)

304	SS304
310	SS310
316	SS316
600	Inconel-600
800	Inconel-800
446	HRS-446
Other	Consult Factory

Threads	1/4"
	1/2"
	3/4"
	3/8"
	1"
B.S.P./N.P.T.	1 1/4"
	1 1/2"
	2"
M-Thread	M20X1.5, M18X1.5 M27X2
Other	Consult Factory

C