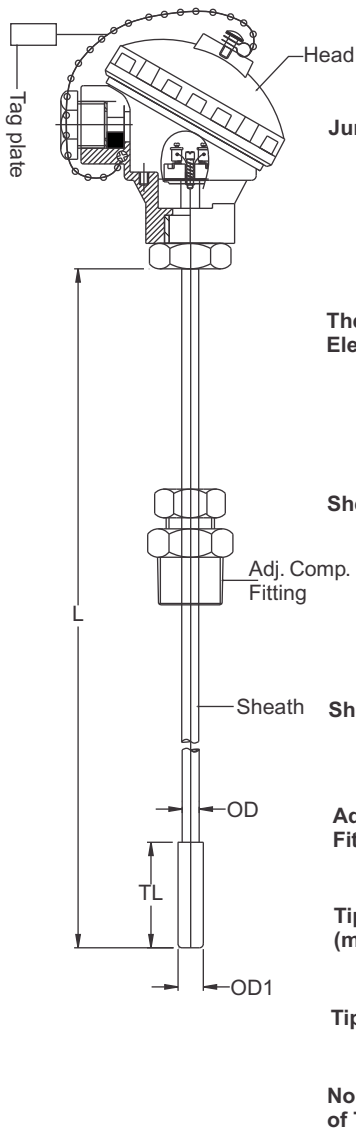




**A**

# THERMOCOUPLE WITH HEAD & TIP ASSEMBLY

**TEC-103**



**Termination Style**

**Junction Style**

**Thermocouple Element**

**Sheath "OD"**

**Sheath Material**

**Adj. Comp. Fitting**

**Tip Length "T.L." (mm)**

**Tip Dia "OD1"**

**Nominal Length of T/C (L) (mm)**

C	Connection Head IP- 67
D	Double entry Head IP-65
EB	Ex-D IIB Zone 1&2
EC	Ex-D IIC
M	Miniature Head
P	Plastic Head
Other	Consult Factory

GN	Grounded
UN	Ungrounded

Type of T/C	Description
K	Chromal/Alumal
J	Iron/Constantan
N	Nicrosil-Nisil
T	Copper/Constantan
E	Ni-Cr/Constantan
Other	Consult Factory
Ex. :	If Simplex - K Duplex - KK

1	Ø1mm
1.5	Ø1.5mm
3	Ø3mm
4.5	Ø4.5mm
6	Ø6mm
8	Ø8mm
Other	Consult Factory

316	SS 316
310	SS 310
600	Inconel-600
Other	Consult Factory

Threads	1/4"
	1/2"
	3/8"
	3/4"
	1"
B.S.P. / N.P.T.	1 1/4"
	1 1/2"
	2"
M-Thread	M20X1.5, M18X1.5, M33X2, M27X2
Other	Consult Factory
N/A	Not Applicable