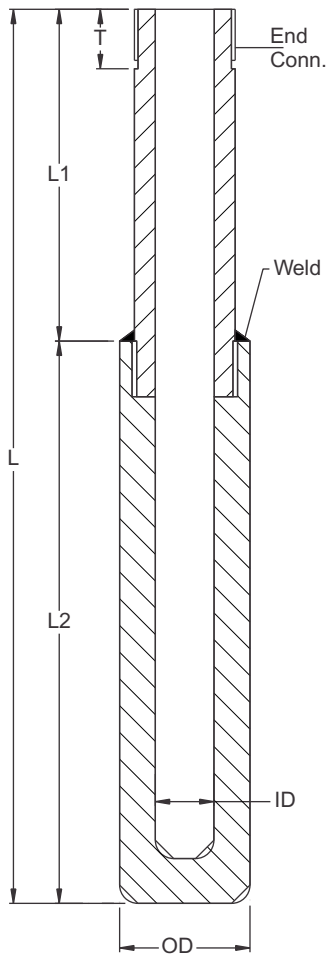




# STEPPED THERMOWELL

## TEC-105



Thermowell Material

Thermowell OD (mm)

ID (mm)

End Conn.

Length of Thread "T"(mm)

Length L1 (mm)

Length L2 (mm)

Thermowell Length "L"(mm)

CS	Cast Iron
304	SS 304
310	SS 310
316	SS 316
600	Inconel-600
800	Inconel-800
446	HRS- 446
610	Ceramic Ker-610
710	Ceramic Ker-710
Other	Consult Factory

Threads	1/4"
	1/2"
	3/4"
	3/8"
	1"
	1 1/4"
B.S.P./ N.P.T.	1 1/2"
	2"
	M-Thread
M20X1.5, M18X1.5	
M27X2	
Other	Consult Factory

C