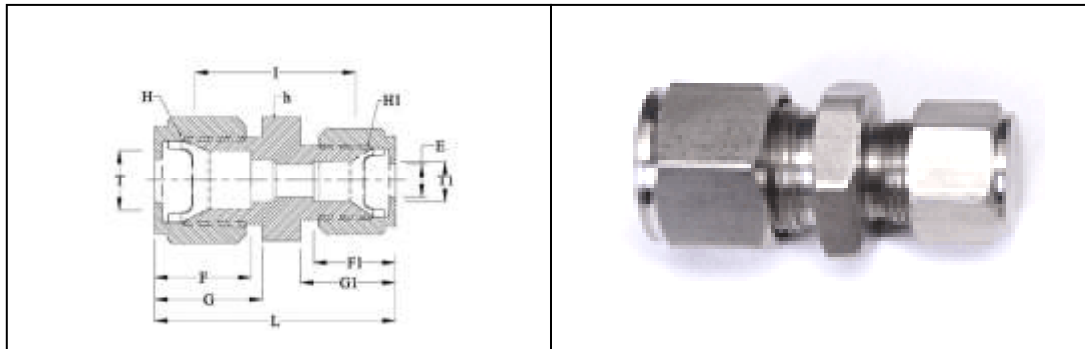




REDUCING UNION



Tube O.D.		E Min	h in	H in	H ₁ in	F	F ₁	G	G ₁	I	L
T in	T ₁ in										
1/8	1/6	1.27	7/16	7/16	5/16	12.7	8.63	15.24	10.92	20.60	30.91
3/16	1/8	2.28	7/16	1/2	7/16	13.71	12.70	16.00	15.24	23.36	36.57
1/4	1/8	2.28	1/2	9/16	7/16	15.24	12.70	17.78	15.24	24.63	38.60
1/4	3/16	3.04	1/2	9/16	1/2	15.24	13.71	17.78	16.00	25.40	39.37
5/16	1/8	2.28	9/16	5/8	7/16	16.25	12.70	18.54	15.24	25.90	39.87
5/16	1/4	4.82	9/16	11/16	9/16	16.25	15.24	18.54	17.78	27.43	42.16
3/8	1/8	2.28	5/8	11/16	7/16	16.76	12.70	19.30	15.24	26.92	40.89
3/8	1/4	4.82	5/8	11/16	9/16	16.76	15.24	19.30	17.78	28.44	43.18
3/8	5/16	6.35	5/8	7/8	5/8	16.76	16.25	19.30	18.54	29.46	44.19
1/2	1/8	2.28	13/16	7/8	7/16	22.86	12.70	21.84	15.24	28.44	45.21
1/2	1/4	4.82	13/16	7/8	9/16	22.86	15.24	21.84	17.78	29.46	46.99
1/2	3/8	7.11	13/16	1	11/16	22.86	16.76	17.78	19.30	30.98	48.51
5/8	3/8	7.11	15/16	1	11/16	24.38	16.76	21.84	19.30	31.75	49.27
5/8	1/2	10.41	15/16	1-1/8	7/8	24.38	22.86	21.84	21.84	31.75	52.07
3/4	1/4	12.70	1-1/16	1-1/8	9/16	24.38	15.24	21.84	17.78	31.75	49.27
3/4	3/8	7.11	1-1/16	1-1/8	11/16	24.38	16.76	21.84	19.30	33.27	50.80
3/4	1/2	10.41	1-1/16	1-1/8	7/8	24.38	22.86	21.84	21.84	33.27	53.59
3/4	5/8	12.70	1-1/16	1-1/8	1	24.38	24.38	21.84	21.84	33.27	53.59
1	1/2	10.41	1-3/8	1-1/2	7/8	31.24	22.86	26.41	21.84	40.89	63.24
1	3/4	19.05	1-3/8	1-1/2	1-1/8	31.24	24.38	26.41	21.84	40.38	62.73