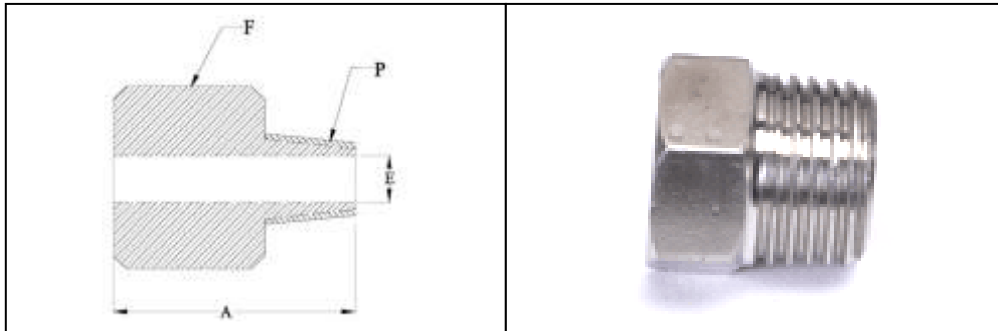




REDUCING BUSHING



Pipe Size		Dimensions		
P-PT, NPT	P ₁ -PT, NPT	A	E	F
1/4	1/8	20	8	9/16
3/8	1/4	24	11	11/16
1/2	1/4	30	11	7/8
1/2	3/8	30	15	7/8
3/4	1/4	32	11	1-1/16
3/4	3/8	32	15	1-1/16
3/4	1/2	32	18	1-1/16
1	1/2	38	18	1-3/8
1	1/2	38	22	1-3/8