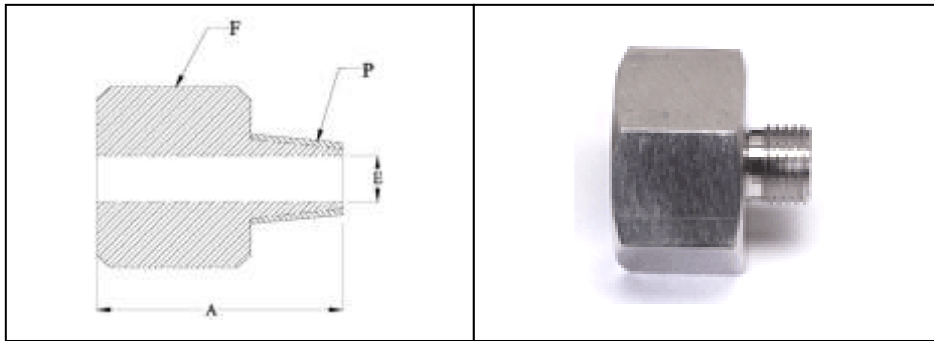




REDUCING ADAPTER



Pipe Size		Dimensions		
P-PT, NPT	P ₁ -PT, NPT	A	E	F
1/4	1/8	31	5	3/4
3/8	1/4	38	7	7/8
1/2	1/4	44	7	1-1/16
1/2	3/8	44	9.5	1-1/16
3/4	3/8	46	9.5	1-1/4
3/4	1/2	50	12	1-1/4
1	1/2	57	12	1-5/8
1	3/4	57	15	1-5/8