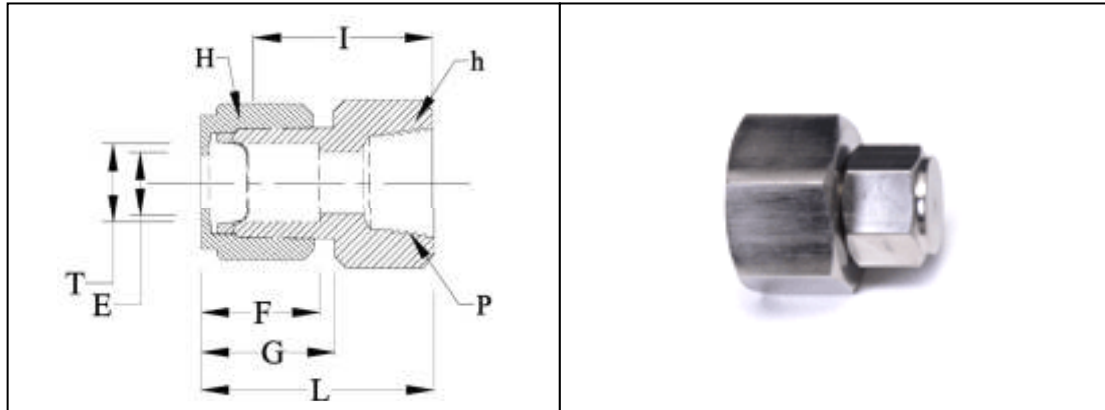




FEMALE CONNECTOR



Tube O.D. T in	P (NPT)	E Min	h in	H in	F	G	I	L
1/8	1/8	2.28	9/16	7/16	12.70	15.24	22.09	28.70
1/8	1/4	2.28	3/4	7/16	12.70	15.24	26.92	33.52
3/16	1/8	3.04	9/16	1/2	13.71	16.00	23.11	29.71
1/4	1/8	4.82	9/16	9/16	15.24	17.78	23.87	31.24
1/4	1/4	4.82	3/4	9/16	15.24	17.78	28.44	35.81
1/4	3/8	4.82	7/8	9/16	15.24	17.78	30.22	37.59
1/4	1/2	4.82	1-1/16	9/16	15.24	17.78	35.05	42.41
5/16	1/8	6.35	9/16	5/8	16.25	17.78	24.63	32.00
5/16	1/4	6.35	3/4	5/8	16.25	18.54	29.46	36.83
3/8	1/8	7.11	5/8	11/16	16.76	18.54	25.40	32.76
3/8	1/4	7.11	3/4	11/16	16.76	19.30	30.22	37.59
3/8	3/8	7.11	7/8	11/16	16.76	19.30	31.75	39.11
3/8	1/2	7.11	1-1/16	11/16	16.76	19.30	36.57	43.94
3/8	3/4	7.11	1-5/16	11/16	22.86	19.30	40.38	47.75
1/2	1/4	10.41	1-3/16	7/8	22.86	19.30	30.22	40.38
1/2	3/8	10.41	7/8	7/8	22.86	21.84	31.75	41.91
1/2	1/2	10.41	1-1/16	7/8	22.86	21.84	36.57	46.73
1/2	3/4	10.41	1-5/16	7/8	24.38	21.84	38.10	48.26



5/8	3/8	12.70	15/16	1	24.38	21.84	31.75	41.91
5/8	1/2	12.70	1-1/16	1	24.38	21.84	36.57	46.73
3/4	1/2	15.74	1-1/16	1-1/8	24.38	21.84	36.57	46.73
3/4	3/4	15.74	1-5/16	1-1/8	24.38	21.84	38.10	48.26
7/8	3/4	18.28	1-5/16	1-1/4	25.90	21.84	39.62	49.78
1	3/4	22.35	1-3/8	1-1/2	31.24	26.41	41.14	53.24
1	1	22.35	1-5/8	1-1/2	31.24	26.41	50.03	62.23