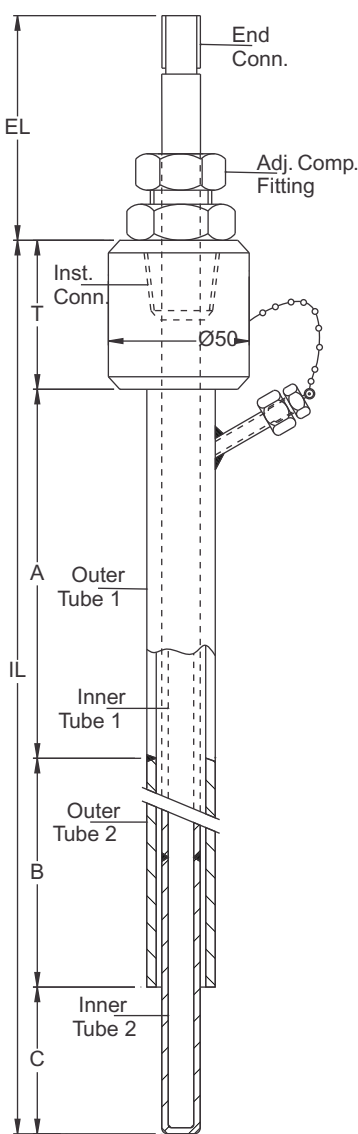




DOUBLE PROTECTION TUBE FOR BOILER BED TEMPERATURE

TEC-114



Inner Tube Material

Inner Tube OD (mm)

ID (mm)

Outer Tube 1 Material

Outer Tube 1 OD (mm)

ID (mm)

Outer Tube 2 Material

Outer Tube 2 OD (mm)

ID (mm)

Outer Tube 1 Length "A"(mm)

Outer Tube 2 Length "A"(mm)

Process Conn.

Length of "T" (mm)

Total Length of "EL + IL"(mm)

304	SS 304
310	SS 310
316	SS 316
600	Inconel-600
800	Inconel-800
446	HRS- 446
610	Recrystallised Alumina Ceramic- Ker- 610
710	Recrystallised Alumina Ceramic- Ker- 710

304	SS 304
310	SS 310
316	SS 316
600	Inconel-600
800	Inconel-800
446	HRS- 446

Threads	1/4"	
	1/2"	
	3/4"	
	3/8"	
	1"	
	1 1/4"	
B.S.P./ N.P.T.	1 1/2"	
	2"	
	M-Thread	M20X1.5, M18X1.5 M27X2
	Other	Consult Factory

C