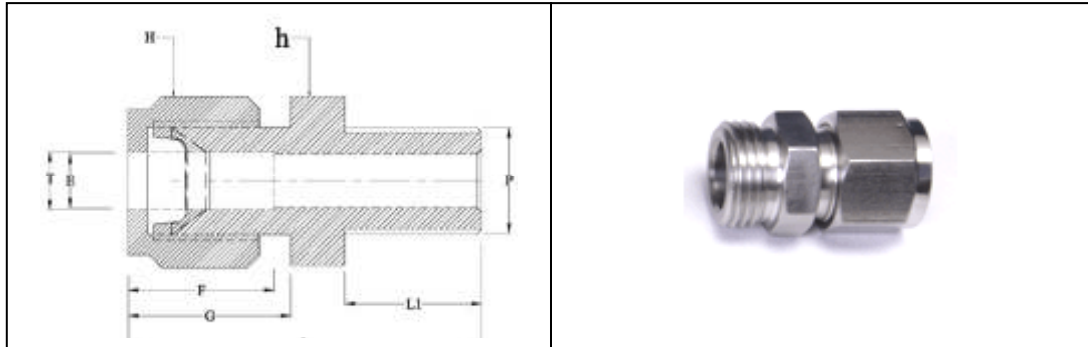




## BSP FITTING



Tube O.D. T in	P (NPT)	E Min	h in	H in	F	G	I	L
1/16	1/16	1.27	5/16	5/16	8.63	10.92	20.00	23.83
1/16	1/8	1.27	7/16	7/16	8.63	10.92	22.35	26.33
1/8	1/8	2.28	7/16	7/16	12.70	15.24	23.87	30.48
1/8	1/4	2.28	9/16	7/16	12.70	15.24	28.95	35.56
1/8	3/8	2.28	11/16	7/16	12.70	15.24	29.21	35.81
1/8	1/2	2.28	7/8	7/16	12.70	15.24	35.56	42.16
3/16	1/8	3.04	7/16	1/2	13.71	16.00	24.63	31.24
3/16	1/4	3.04	9/16	1/2	13.71	16.00	29.71	36.32
1/4	1/8	4.82	1/2	9/16	15.24	17.78	25.40	32.76
1/4	1/4	4.82	9/16	9/16	15.24	17.78	30.48	37.84
1/4	3/8	4.82	11/16	9/16	15.24	17.78	30.98	38.35
1/4	1/2	4.82	7/8	9/16	15.24	17.78	37.33	44.70
1/4	3/4	4.82	1-1/16	9/16	15.24	17.78	38.86	46.22
5/16	1/8	4.82	9/16	5/8	16.25	18.54	26.67	34.03
5/16	1/4	6.35	9/16	5/8	16.25	18.54	31.24	38.60
5/16	3/8	6.35	11/16	5/8	16.25	18.54	31.75	39.11
3/8	1/8	4.82	5/8	11/16	16.76	19.30	29.94	35.30
3/8	1/4	7.11	5/8	11/16	16.76	19.30	32.51	39.87



**THERMO ELECTRIC  
CORPORATION**

3/8	3/8	7.11	11/16	11/16	16.76	19.30	32.51	39.87
3/8	3/4	7.11	1-1/16	11/16	16.76	19.30	40.38	47.75
1/2	1/8	4.82	13/16	7/8	22.86	21.84	28.70	38.86
1/2	1/4	7.11	13/16	7/8	22.86	21.84	33.27	43.43
1/2	3/8	9.65	13/16	7/8	22.86	21.84	33.27	43.43
1/2	1/2	10.41	7/8	7/8	22.86	21.84	38.86	49.02
1/2	3/4	10.41	1-1/16	7/8	22.86	21.84	40.38	50.54
1/2	1	10.41	1-3/8	7/8	22.86	21.84	46.99	57.15
5/8	3/8	9.65	15/16	1	24.38	21.84	34.03	44.19
5/8	1/2	11.93	15/16	1	24.38	21.84	38.86	49.02
5/8	3/4	12.70	1-1/16	1	24.38	21.84	40.38	50.54
3/4	1/2	11.93	1-1/16	1-1/8	24.38	21.84	40.38	50.54
3/4	3/4	15.74	1-1/16	1-1/8	24.38	21.84	40.38	50.54
3/4	1	15.74	1-3/8	1-1/8	24.38	21.84	46.99	57.15
7/8	3/4	15.74	1-3/16	1-1/4	25.90	21.84	40.38	50.54
7/8	1	18.28	1-3/8	1-1/4	25.90	21.84	46.99	57.15
1	1/2	11.93	1-3/8	1-1/2	31.24	26.41	45.21	57.40
1	3/4	15.74	1-3/8	1-1/2	31.24	26.41	45.21	57.40
1	1	22.35	1-3/8	1-1/2	31.24	26.41	50.03	62.23