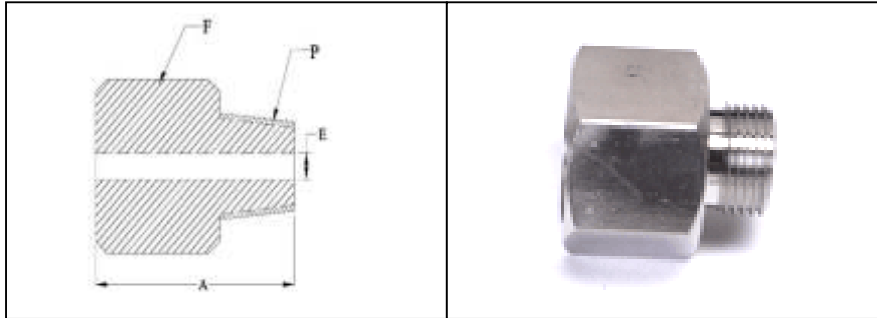




## ADAPTER



Pipe Size P-PT, NPT	Dimensions		
	A	E	F
1/8	25.4	5	9/16
1/4	35	7	3/4
3/8	40	9.5	7/8
1/2	40	12	1-1/16
3/4	50	15	1-1/4
1	58	22	1-5/8